

TAYLORMADE



THE SEWING FURNITURE SPECIALISTS

TAILORMADE

THE SEWING FURNITURE SPECIALISTS

OUR PHILOSOPHY

We know that having the right sewing station and configuration is important to every consumer, which is why we have designed our cabinets with this in mind. All of our cabinets are designed with functionality and comfort, plus providing a quality furniture product of exceptional value.

Choose from our range of sturdy sewing and craft furniture, available in four finishes to complement every home. Our range caters to all spaces and work areas.

Tailormade makes dream hobby and sewing spaces a reality. Our cabinets feature:

OUR CABINETS FEATURES



Three step gas lifts. Never lift your machine again. Gas lift makes flatbed sewing a reality.



Three steps 500 Newton gas lift



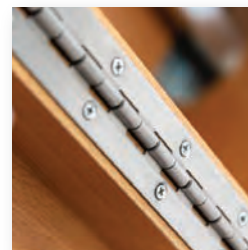
Magnetic catches



Lockable castors



Recessed hinges



Piano hinges



Clear see through storage boxes & trays.



Foot control protective stopper



Flatbed sewing position

SEWING FURNITURE SPECIALISTS

We specialise in sewing furniture. With our furniture, storage solutions abound through the use of specialised trays and boxes ideal for threads, bobbins, notions and even a place to hide an extra machine. Many of our cabinets fold down for easy storage - perfect for those limited by space or needing a mutli-purpose room.

WHAT IS A GAS LIFT PLATFORM?







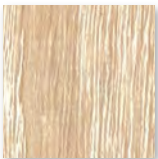

All of our fully assembled cabinets include a gas lift that sets a machine to 3 adjustable levels. This means the machine raised to the highest level for regular sewing or drop the platform for flatbed sewing. This requires the additional purchase of an acrylic insert that will create a flat surface and remove any gaps for the fabric to fall into. The third position is to completely lower to stow the machine when not in use.

WHAT ARE TAILORMADE CABINETS MADE FROM?

All of our fully assembled cabinets are made of quality MDF with a wood grain melamine veneer to give a sturdy build whilst offering exceptional value. Available in four finishes including White, Beech, Grey Oak and Weathered Oak.

OUR CABINETS CAN INCLUDE:

- Three step 500 Newton Hydraulic gas lift
- Three spacious roller drawers
- Rounded corners
- Easy-roll, lockable casters
- Foot control protective stopper
- Built-in, glide-out notions / threads closet
- Recessed hinges
- Clear storage
- Acrylic insert supports

| Finishes | | Lockable castors |
|---|------|--|
|  White (WT) | with |  White |
|  Beech (BH) | with |  Black / Grey Trim |
|  Grey Oak (GO) | with |  Black / Grey Trim |
|  Weathered Oak (WO) | with |  Black / Grey Trim |

Our Compact cabinet is our smallest gas lift cabinet, built as a stylish, mobile and fully featured cabinet, but tiny in size.

The perfect cabinet for small home or apartment and for use with smaller to medium sewing machines.

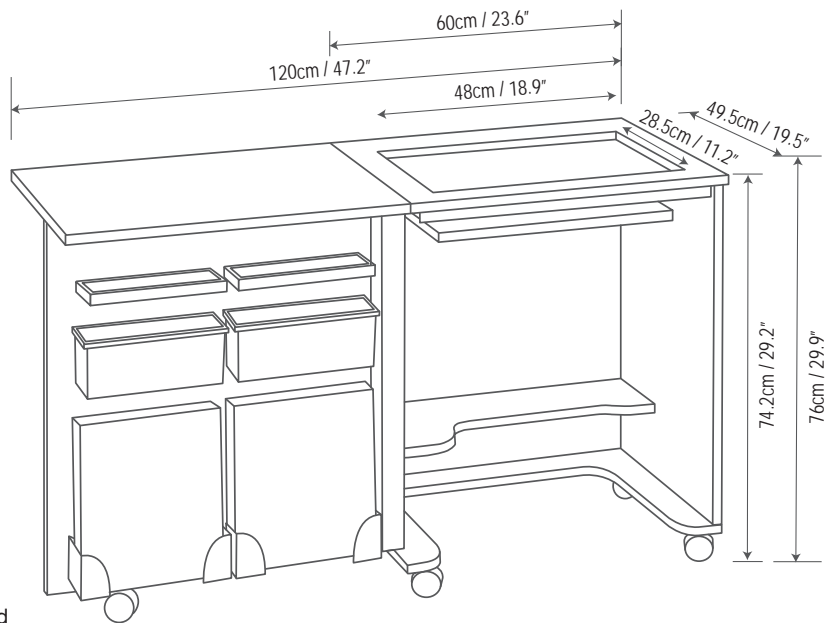
This cabinet includes the latest sewing accessory storage features, all recessed to ensure a snag free sewing experience.

FEATURES:

- Machine platform opening
W48cm x D28.5cm / W18.9" x D11.2"
- Quality effortless three step air lift:
Stored, flatbed and freearm sewing positions
- Snag free sewing with recessed hinges
- Easy to roll, lockable castors.
- Recessed door for snag free storage.
- Lots of trays and compartments, all removable and easy to use. Including bobbin and needle storage and deep bins for all haberdashery and sewing notion storage.
- Spacious leg room



* Shown in Weathered Oak (WO)



SPECS:

- Closed
 W60 x H76 x D49.5cm / W23.6" x H29.9" x D19.5"
- Open
 W120 x H74.2 x D49.5cm / W47.2" x H29.2" x D19.5"



Closed cabinet



Large machine lift platform of
 W45 x D25.5cm /
 W18.9" x D11.2"



Removable storage boxes and trays



Flatbed sewing



The Gemini unit opens up to reveal a spacious sewing cabinet ideal for smaller studios. With snag-free storage compartments and shelves everywhere.

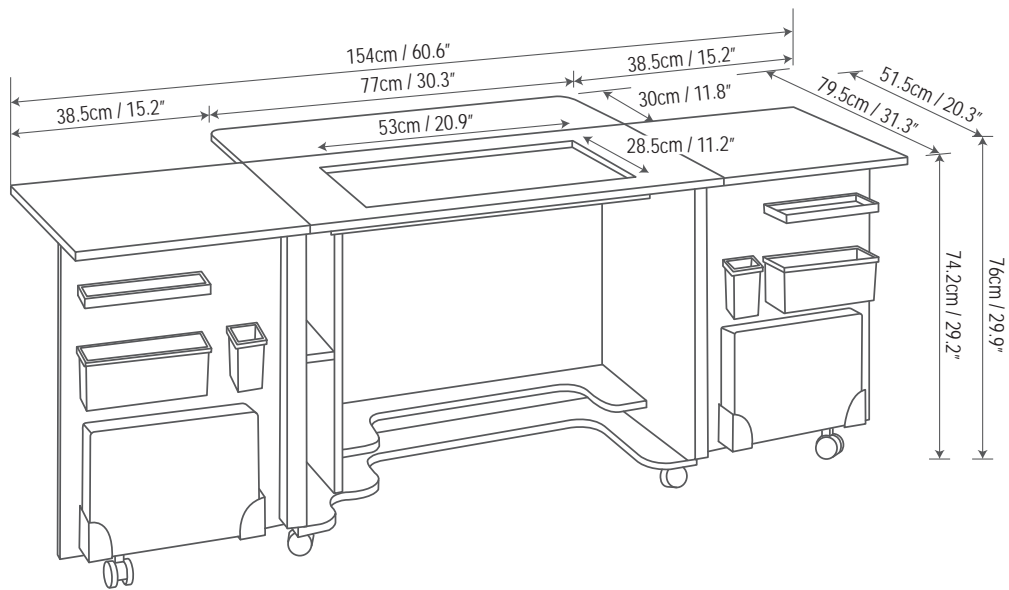
A fantastic unit for those who want everything all in the one area but are limited by space. With all the benefits of specialized storage and a back leaf to keep your projects off the floor this unit is sure to impress.

FEATURES:

- Machine platform opening
W53cm x D28.5cm / W20.9" x D11.2"
- Large back leaf to increase workspace
W77cm x D30cm / W30.3" x D11.8"
- Quality effortless three step air lift:
Stored, flatbed and freearm sewing positions
- Snag-free sewing with recessed hinges
- Easy to roll, lockable castors.
- Recessed door for snag free storage
- Lots of trays and compartments all removable and easy to use. Including bobbin and needle storage and deep bins for all haberdashery and sewing notion storage.
- Storage area for books and magazines
- Spacious leg room with foot rest
- Includes the foot control protective stopper plate, to help avoid the foot control jamming under the cabinet during use.



* Shown in Weathered Oak (WO)



SPECS:

- Closed
W77 x H76 x D51.5cm / W30.3" x H29.9" x D20.3"
- Open
W154 x H74.2 x D79.5cm / W60.6" x H29.2" x D31.3"



Closed cabinet



Large workspace



Removable storage boxes and trays



Magazine and pattern storage



The Duo unit opens up to reveal a spacious sewing cabinet ideal for smaller studios. With snag-free storage compartments and shelves everywhere, consumer will have a more accessible and functional work space to create the ultimate masterpiece.

A fantastic unit for those who want everything all in the one area but are limited by space. With all the benefits of specialized storage and a back leaf to keep your projects off the floor the Duo is sure to impress.

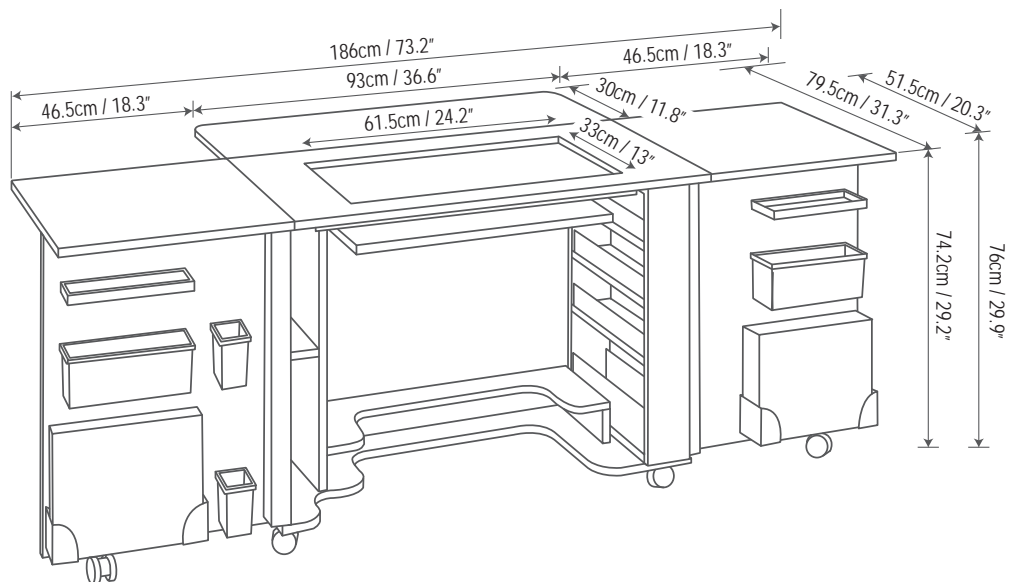
This Duo opens up to a sewers masterclass.

FEATURES:

- Machine platform opening
W61.5cm x D33cm / W24.2" x D13" -
perfect for small / medium / large sewing machines
- Large back leaf to increase workspace
W93cm x D30cm / W36.3" x D11.8"
- Quality effortless three step air lift:
Stored, flatbed and freearm sewing positions
- Snag-free sewing with recessed hinges
- Easy to roll, lockable castors.
- Recessed door for snag free storage.
- Lots of trays and compartments all removable and easy to use. Including bobbin and needle storage and deep bins for all haberdashery and sewing notion storage.
- Storage area for books and magazines
- Spacious leg room with foot rest
- Includes the foot control protective stopper plate, to help avoid the foot control jamming under the cabinet during use.



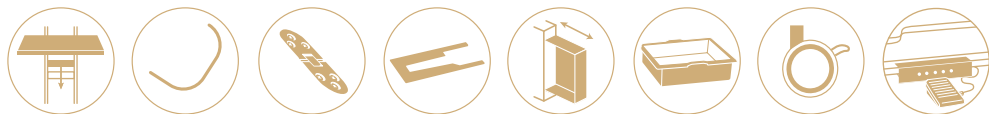
* Shown in Grey Oak (GO)



- SPECS:**
- Closed
W93 x H76 x D51.5cm / W36.6" x H29.9" x D20.3"
 - Open
W186 x H74.2 x D79.5cm / W73.2" x H29.2" x D31.3"



* Shown in Grey Oak (GO)



Closed cabinet

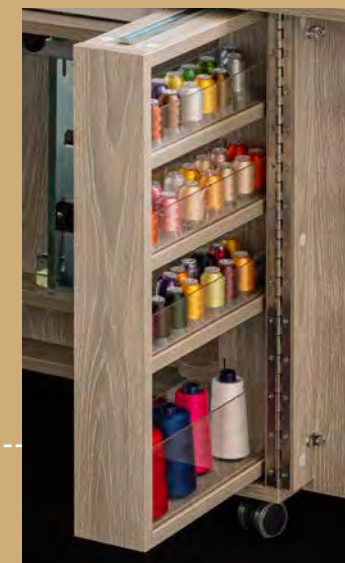
Removable storage boxes and trays



Magazine and pattern storage



Built-in, glide-out notions / threads closet



The Eclipse is a larger cabinet - featuring a large work surface with specialized storage for notions & tools, the hidden drawers and cupboard can even an overlocker / serger.

The Eclipse provides an all-in-one sewing cabinet with the opportunity to keep everything you need to create your masterpiece within arm's reach. Available in right or left hand configurations.

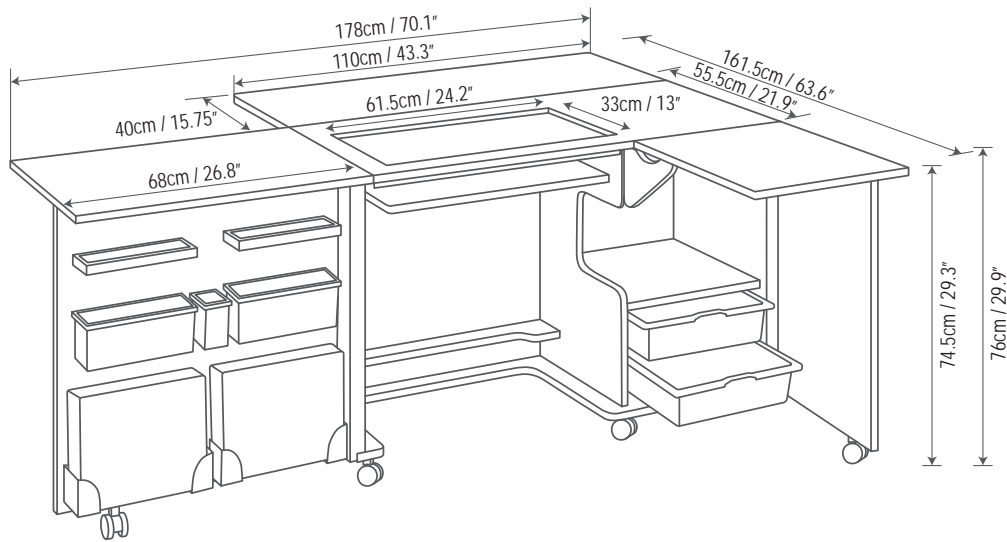
Eclipse cabinet is the perfect home for a sewing machine and serger/overlocker.

FEATURES:

- Machine platform opening
W61.5cm x D33cm / W24.2" x D13"
Suitable for modern large machines.
- Large back leaf to increase workspace
W110cm x D40cm / W43.3" x D15.75"
- Generous storage space for sewing machine and serger / overlocker
- Two large tubs for fabric and notions
- Quality effortless three step air lift:
Stored, flatbed and freearm sewing positions
- Snag-free sewing with recessed hinges
- Easy to roll, lockable castors.
- Recessed door for snag free storage
- Lots of trays and compartments all removable and easy to use. Including bobbin and needle storage and deep bins for all haberdashery and sewing notion storage.
- Spacious leg room with foot rest
- Includes the foot control protective stopper plate, to help avoid the foot control jamming under the cabinet during use.



* Shown in White (WT)



SPECS:

- Closed
W110 x H76 x D55.5cm / W43.3" x H29.9" x D21.9"
- Open
W178 x H74.5 x D161.5cm / W70.1" x H29.3" x D63.6"



Closed cabinet

Large workspace for your sewing machine and serger/overlocker



Removable storage boxes and trays



* Shown in White (WT)

Two storage tubs



Storage for serger / overlocker



Everything you need in one sewing cabinet - extra large surface, storage caddy and fold down design. Featuring the large machine platform, to fit the bigger machines. The large back leaf is ideal for quilting and keeping larger items under control.

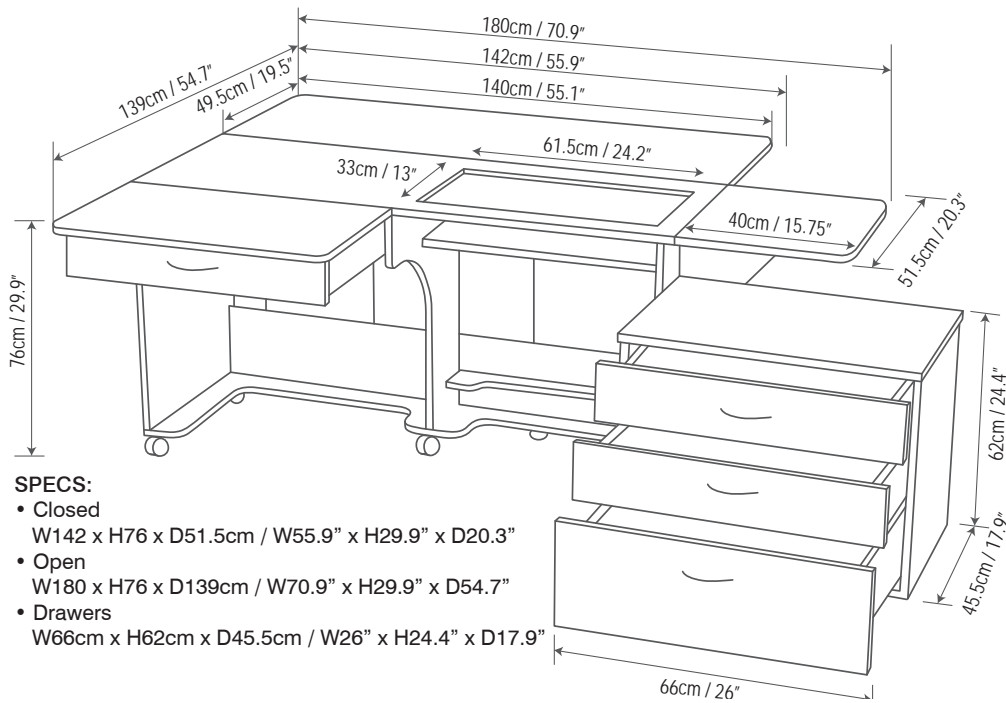
Quilters Vision cabinet features the filler board to allow the cabinet to become a cutting table once the sewing machine is stored.

FEATURES:

- Machine platform opening
W61.5 x D33cm / W24.2" x D13"
- Large back leaf to increase workspace
W140 x D49.5cm / W55.1" x D19.5"
- Includes three drawer rolla storage caddy
- Quality effortless three step air lift:
Stored, flatbed and freearm sewing positions
- Easy to roll, lockable castors
- Spacious leg room with foot rest
- Filler board allows table top to become the perfect cutting table
- Includes the foot control protective stopper plate, to help avoid the foot control jamming under the cabinet during use.
- Supplied in two export cartons due to weight and size



* Shown in Weathered Oak (WO)



SPECS:

- Closed
W142 x H76 x D51.5cm / W55.9" x H29.9" x D20.3"
- Open
W180 x H76 x D139cm / W70.9" x H29.9" x D54.7"
- Drawers
W66cm x H62cm x D45.5cm / W26" x H24.4" x D17.9"



Closed cabinet

Large machine lift platform of W58.5 x D30cm / W23" x D11.8"



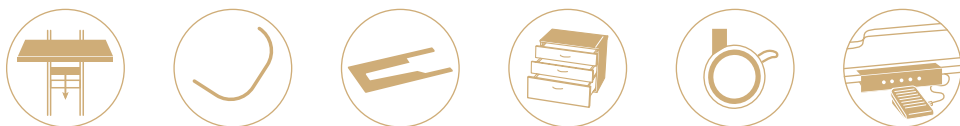
Large workspace



* Shown in Weathered Oak (WO)



Three drawer storage caddy



CUTTING TABLE-87

 Supplied Fully Assembled

Cutting Table-87 is the perfect addition to any sewing & hobby room. Doubles as storage even when in the collapsed position.

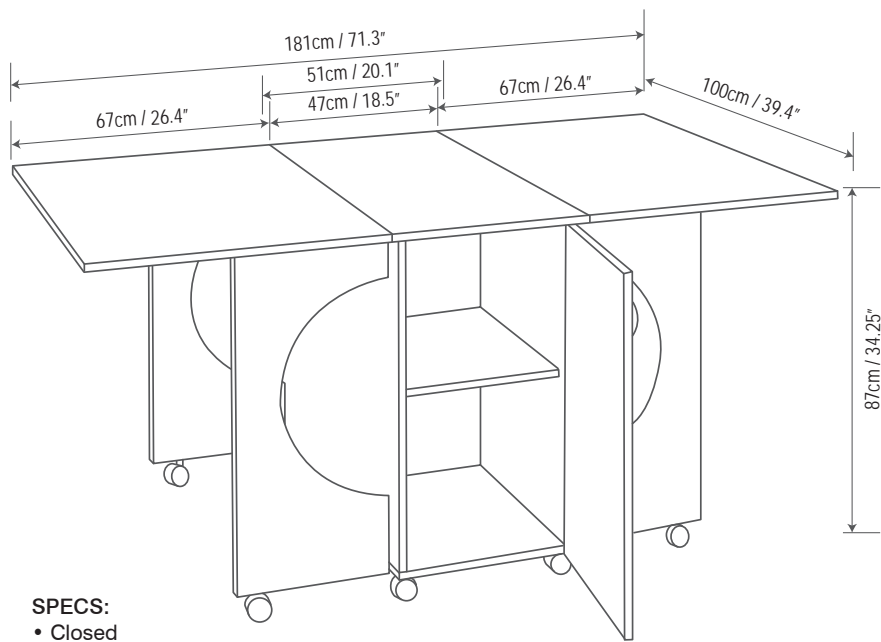
Provides a large stable work surface of 1.8m x 1m. The Tailormade cutting table is available at either 87cm or 95cm height to reduce back fatigue caused by bending. With its 4 fold out doors positioned magnetically, the Cutting Table is much more stable than other fold down tables. Utilizing this fold down design, consumers are ensured a tidy work area whilst providing quick access to the storage drawers and shelves. Not just for cutting, the large surface is ideal for preparation work and piecing with enough leg room to sit at either end.

FEATURES:

- 4 storage drawers
- Easy to roll, lockable castors.
- 87cm / 34.25" in height
- Sturdy
- Large cutting workspace



* Shown in White (WH)



SPECS:

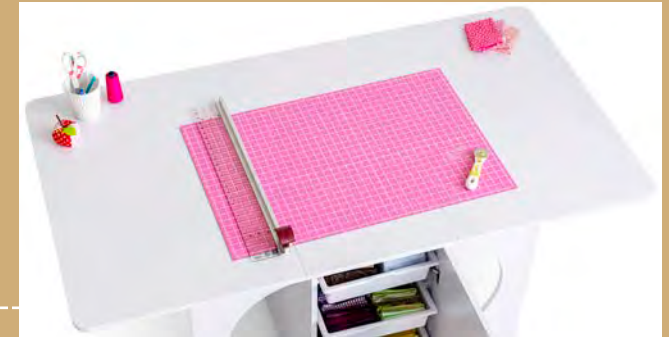
- Closed
 W51 x H87 x D100cm / W20.1" x H34.25" x D39.4"
- Open
 W181 x H87 x D100cm / W71.3" x H34.25" x D39.4"



* Shown in White (WH)



Closed cabinet



Large workspace



Side 1: Four storage tubs



Side 2: Two storage spaces

Cutting Table-95 is the perfect addition to any sewing & hobby room. Doubles as storage even when in the collapsed position.

Featuring 6 multi-use plastic tubs, plus space to store a serger / overlocker as well.

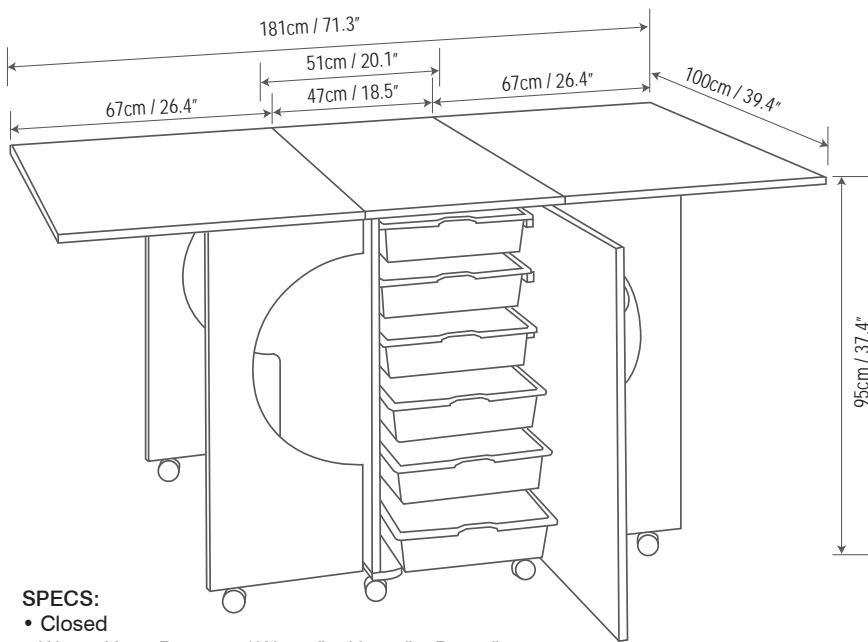
A perfect addition to any hobby room, the Cutting Table provides a large stable work surface of 1.8m x 1m. The Tailormade Cutting Table is available at either 87cm or 95cm height to reduce back fatigue caused by bending. With its 4 fold out doors positioned magnetically, the Cutting Table is much more stable than other fold down tables on the market. Utilizing this fold down design, consumers are ensured a tidy work area whilst providing quick access to the storage drawers and shelves. Not just for cutting, the large surface is ideal for preparation work and piecing with enough leg room to sit at either end.

FEATURES:

- 6 storage drawers
- Easy to roll, lockable castors.
- 95cm / 37.4" in height
- Sturdy
- Large cutting workspace



* Shown in Grey Oak (GO)



- SPECS:**
- Closed
W51 x H95x D100cm / W20.1" x H37.4" x D39.4"
 - Open
W181 x H95 x D100cm / W71.3" x H37.4" x D39.4"



Closed cabinet



Large workspace



* Shown in Grey Oak (GO)



Side 1: Six storage tubs



Side 2: Four storage space



FEATURES:

- 100% Polypropylene fiber conforms with CA TB 117-2013 flammability standard
- Gas spring conforms with EN 16955: 2017 standard
- Available in two styles (as shown)
- Available in a variety of sewing theme fun fabrics. Just ask us for available designs.

SPECS:

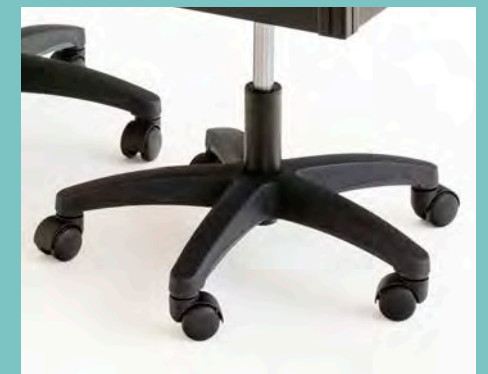
- Seat width: 47cm / 18.5"
- Seat depth: 41cm / 16"
- Seat height: 47cm / 18.5" to 57cm / 22.5"
- Chair total height: 74.5cm / 29" to 84.7cm / 33.5"
- Weight capacity: 250 LBS / 110 KGS



Clever under-the-seat-storage
(Hide your mess 😊)



Hydraulic gas lift
height adjuster



Durable base
and castors

A large white rectangular area with rounded corners, containing two columns of horizontal dotted lines for writing notes.

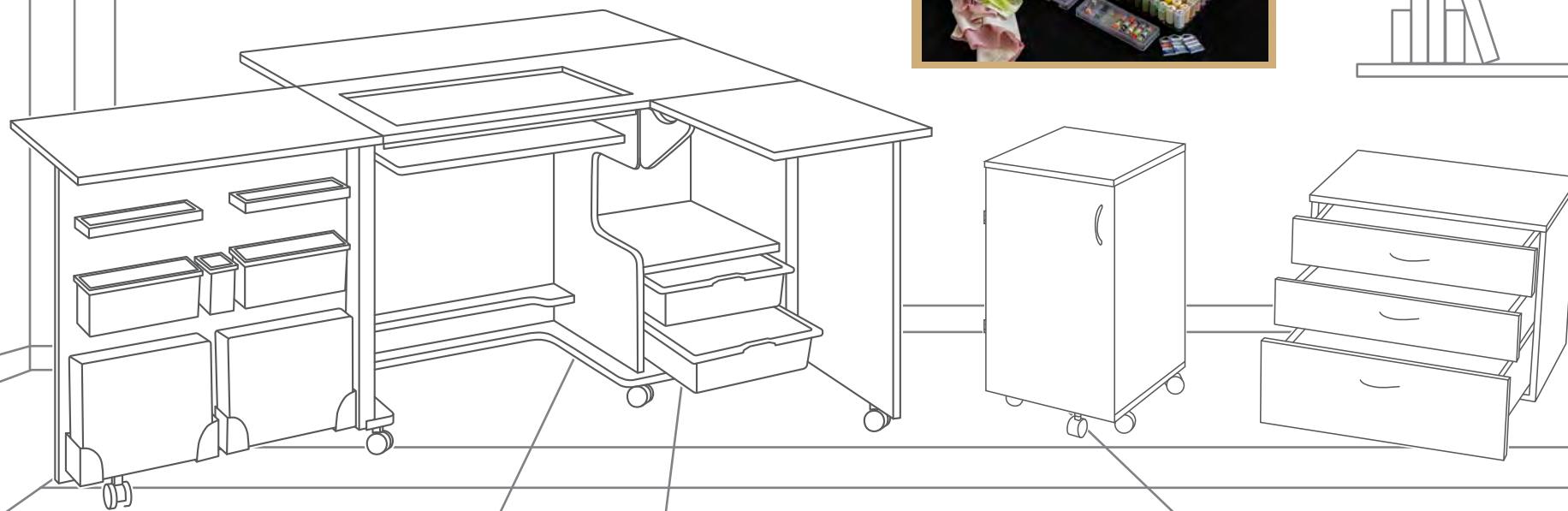
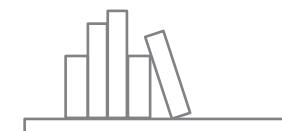
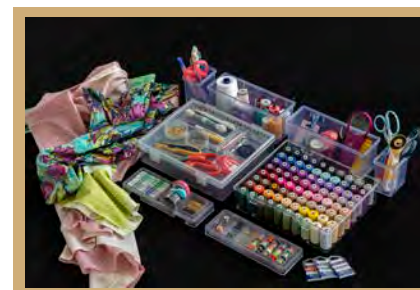
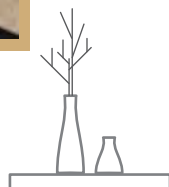
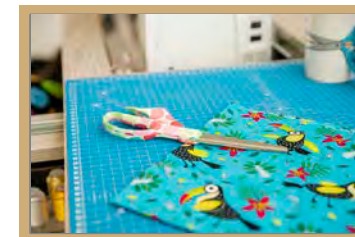
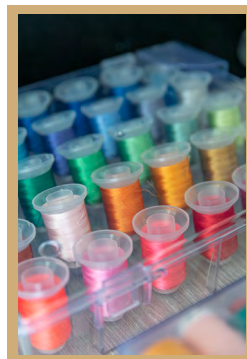


THE SEWING FURNITURE SPECIALISTS

At Tailormade, our mission is to provide you with affordable furniture that perfectly meets your individual sewing and crafting needs. Designed with the sewer in mind, each piece is stylish, versatile, durable and functional.

TAILORMADE

THE SEWING FURNITURE SPECIALISTS



Proudly Distributed by: Trendy Trims Limited
p: (09) 6344531 • e: trendy@trendytrims.co.nz
www.trendytrims.co.nz

Trendy Trims



New Zealand exclusive distributor